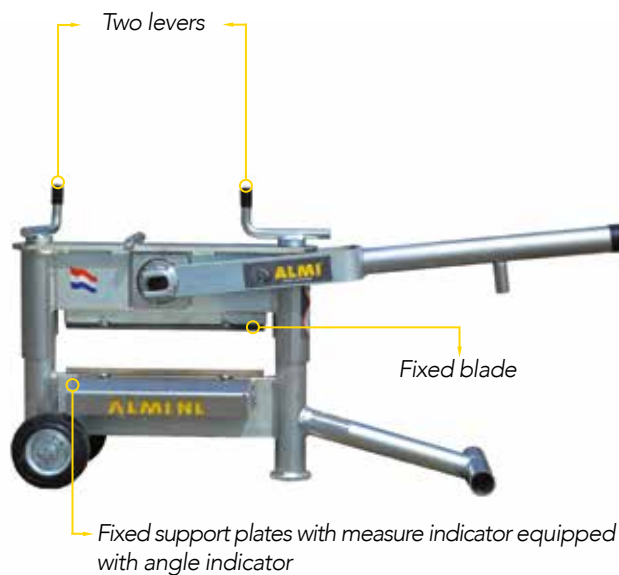
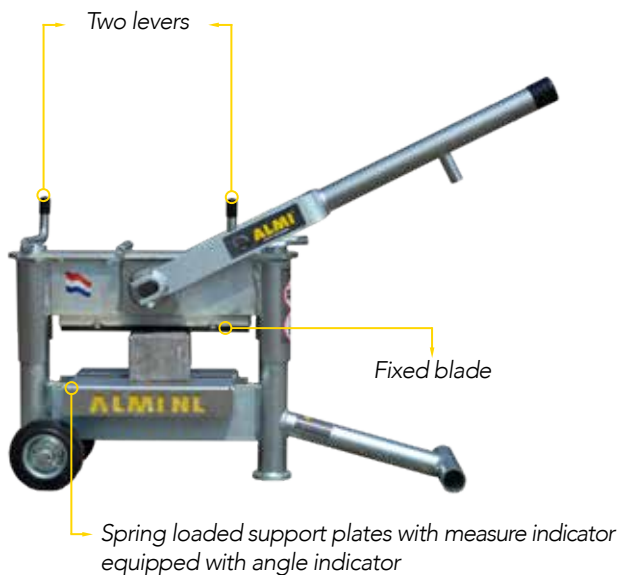


AL33

INFRA STANDARDLINE

AL33D

The Standardline, where the cutting height can be set by means of two spindles, has been the trusted ALMI block splitter since the 1970s. In the past, this line was produced in the well-known ALMI yellow. Nowadays this line is also provided with an electrolytically galvanised surface, which means that it is damaged less quickly and has an even longer service life. As with the Easyline, the Standardline block splitters are also equipped with support plates with measure and angle indicator. This makes working with ALMI block splitters even easier.



TECHNICAL SPECIFICATIONS AL33

Suitable for pavers, concrete pavers, clay pavers and granite

Advantage the original from Almi

Cutting width 330 mm

Cutting height 10 - 120 mm

Blades can be used on 4 sides

Weight 41 kg

Application straight and angled (90° - 45°)

TECHNICAL SPECIFICATIONS AL33D

Suitable for pavers, concrete pavers, clay pavers and granite

Advantage precise paving due to angled splitting

Cutting width 330 mm

Cutting height 10 - 120 mm

Blades can be used on 4 sides

Weight 41 kg

Application straight and angled (90° - 45°)