

MecALAC

REVOTRUCK
SERIES



REVOTRUCK
SERIES **MecALAC**



THE MECALAC REVOLUTION

Mecalac has created the Revotruck, a unique piece of engineering that combines the revolution of the cab with off-road truck capabilities. Operators can now rotate the entire cab at the touch of a button to keep their vision and focus on the job and obstacles on site. The exclusive chassis with central oscillation ensures stability and traction in all ground conditions. Together with extreme ease of use and accessibility, the Revotruck makes material transport smarter and safer.





WATCH THE VIDEO



SAFETY ORIGIN OF THE REVOLUTION

Site dumpers can quickly change the dynamic of a jobsite. Compact and maneuverable in all ground conditions, they provide an efficient solution to material movement on the jobsite. However conventional site dumper remain dangerous machines, especially because the front load obstructs visibility when driving forward, exposing drivers to major accidents.

Alternative products such as reversible dumpers have attempted to solve this problem for a long time (since the 1950s) by proposing rotating driving platforms. However, we have observed that operators always stay in the same position without using the rotating platform:

- Turning the heavy console is uncomfortable and time-consuming. Moreover, this manual operation is performed in a restricted space for driver's legs, making it laborious when repeated throughout the working day
- With a rotating console but a fixed cab, all cab elements (mirrors, doors, windscreen..) are never at the right position when the platform is rotated
- Access is only possible from one side of the machine and once the platform is facing forward

Based on our user-centric innovation process, we have created a new type of vehicle for smarter and safer material transport. This revolution has a name: The Revotruck.

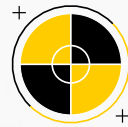
The Revotruck is not just a dumper; it is an iconic machine with a rotating cab and an exclusive chassis architecture that combines stability and mobility.



“ IMAGINE THE SAFEST AND MOST CONVENIENT SITE DUMPER ”
- This is our mission -



VISIBILITY



SAFETY



ACCESSIBILITY



ERGONOMY







MOBILITY



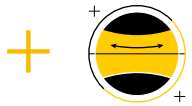
STABILITY

Skip

Road

	✓	✗	✗	✗	✗	✗	✗
 Roll bar	✓	✗	✗	✗	✗	✗	✗
 Cab	✓	✗	✓	✗	✗	✗	✗
 Swivel seat	✓	✓	✓	✗	✗	✗	✗
 REVOTRUCK	✓	✓	✓	✓	✓	✓	✓





REVOTRUCK CONCEPT

VISIBILITY

REVOLUTION OF THE CAB EYES AND MIND ON THE TASK

Getting the best view over the work without having to manoeuvre is now possible with the fully rotating cab of the Revotruck. Unlike existing solutions that offer limited two-way views, the infinite cab positions of the Revotruck open up visibility in all directions, allowing maximum concentration of the drivers on the job and surrounding elements (workers, machines..).

We have not only created the Revotruck to revolutionize the way to work with a dumper, we have done it to enhance operators' safety and well-being.





SMARTER AND SAFER OPERATIONS

The rotating cab of the Revotruck turns up to 225-deg to provide 360-deg visibility of the surroundings and skip movements. Drivers always face the direction of travel, reducing downtime for tricky manoeuvres and drastically lowering the chance of a crash or accident on the worksite.

Best of both worlds, the Revotruck is a rear dump truck when carrying materials and a precise and manoeuvrable site dumper when loading and unloading materials using the skip.



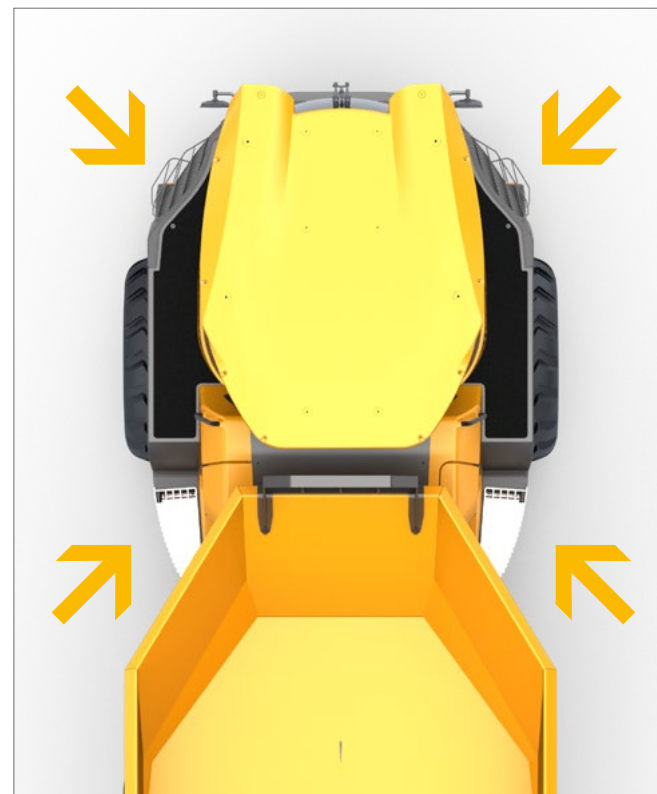
REVOTRUCK CONCEPT

ACCESSIBILITY

REVOLUTION IS ALL-AROUND

Our challenge was to provide unrestricted access to the Revotruck to enhance site dumper safety and ergonomics. We have overcome this challenge by designing the chassis around the cabin with large access to each corner of the driver's station.

Therefore, access to the Revotruck is always safe and effortless.





**ALL-AROUND
ACCESS**



REVOTRUCK CONCEPT

ERGONOMY

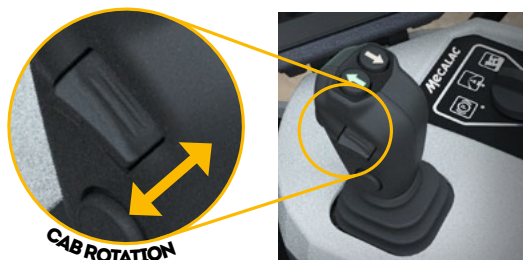
REVOLUTION AT THE PRESS OF A BUTTON

IMPROVED WORKING POSTURES

With drivers at the heart of the Revotruck design, we make the revolution of the cab possible at the touch of a button. As a result, drivers constantly maintain a correct body posture and avoid back problems by eliminating back or neck-twisting work positions.

The command center of the Revotruck offers premium comfort to the drivers thanks to the large touch screen and the multifunctional joystick from which all operations and preferences are controlled.

No need to turn a cumbersome console, just press a button to start the revolution!





INTELLIGENT CONTROLS **ALWAYS THE SAME DRIVING LOGIC**

The Revotruck automatically adapts its behaviour to the actual position of the cab in a way that drivers maintain the same driving logic at all times. For example, the direction of travel (forward/reverse) remains unchanged for the driver regardless of the position of the cab, as well as the wheel steering which adapts to the rotation of the cab.

This installed intelligence makes the Revotruck the most intuitive and safest transport solution available on construction sites.





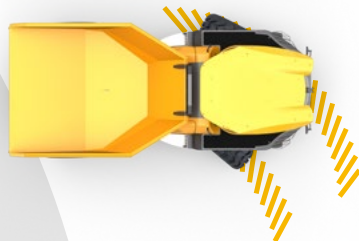
REVOTRUCK CONCEPT

MOBILITY

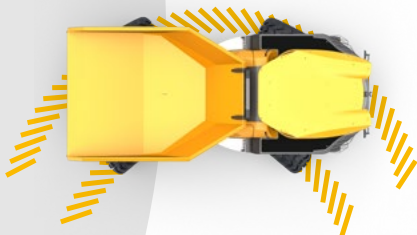
REVOLUTION IN ITS BODY

The unique chassis of the Revotruck is completed by four equally sized wheels with a switchable steering mode (front steering, all-wheel steering and crab steering) that opens up possibilities for working with superior agility in the tightest spaces and with the tightest turning radius of the market.

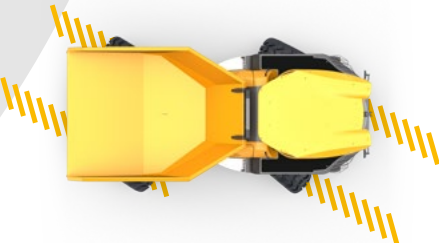
2 WHEEL STEERING



4 WHEEL STEERING



4 WHEEL CRAB STEERING



ARTICULATED DUMPER

REVOTRUCK





REVOTRUCK CONCEPT

STABILITY

POWER OF AGILITY

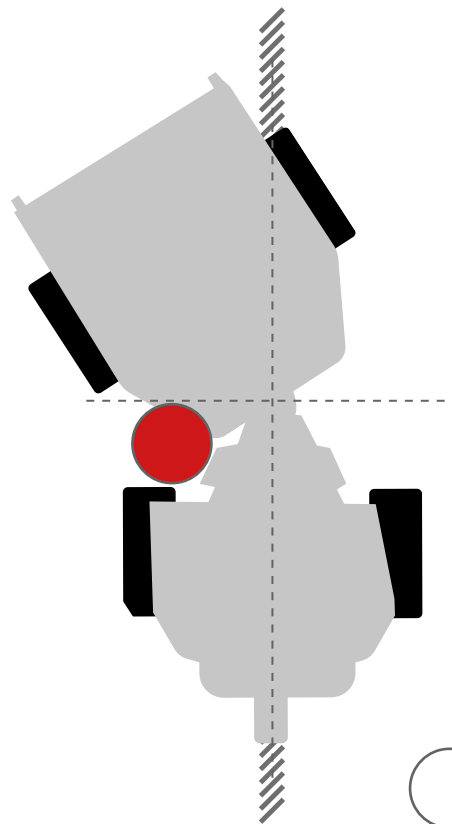
Inspired by slope tractors, the Revotruck delivers exceptional stability. The central linkage between the two parts of the chassis offers up to 20° of oscillation.

The two oscillating ends of the chassis follow the contour of the terrain independently, thus assuring stability and traction in all conditions.



ARTICULATED DUMPER

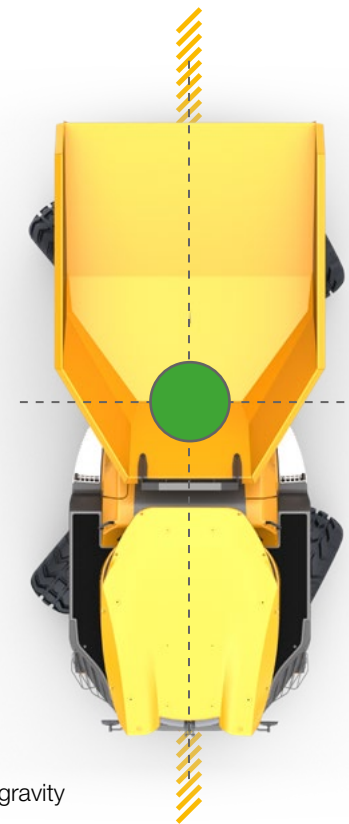
ARTICULATED CHASSIS



LIMITED STABILITY

REVOTRUCK

ALL-WHEEL STEERING RIGID CHASSIS



TOTAL STABILITY

○ Center of gravity



SERVICES

PERFORMANCE, PROFITABILITY, LONGEVITY

DISCOVER OUR SERVICES

MECALAC PREMIUM LUBRICANTS

Premium lubricants to get the best out of your machines:

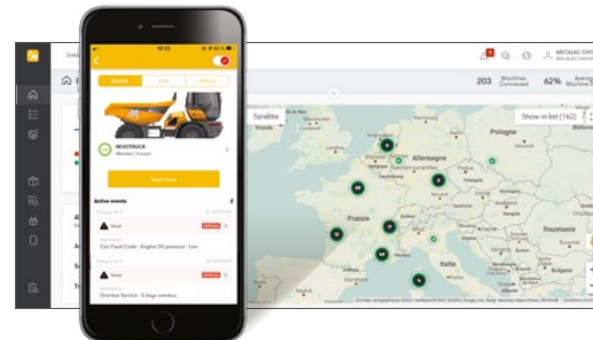
- Extended machine life
- Extended warranty and extended oil change intervals
- All-weather efficiency



MY MECALAC CONNECTED SERVICES

To optimise the use of its machines, MECALAC offers a range of telematics services:

- Remote fleet management
- Access to all machine usage data of the machines
- Limited machine downtime thanks to preventive maintenance





MECALAC GENUINE PARTS

Only genuine MECALAC parts ensure optimum service life and maximum performance:

- Certified genuine parts
- Maintenance kits
- Extended warranty



MECALAC TRAINING

Make full use of the full potential of your Mecalac machines:

- Efficient use
- Individual coaching
- Intensive practice



MECALAC FINANCIAL SOLUTIONS

A complete range of financial products and associated services to meet your specific needs:

- Machine purchase
- Machine rental
- Competitive rates



WARRANTY EXTENSIONS

Our solutions are well-adapted to your needs to maximise the life of your machines:

- Customised contracts
- Peace of mind
- Controlled expenses



The list of services offered may vary depending on your country. Consult your local Mecalac dealer for details.



REVOTRUCK

SET UP YOUR REVOTRUCK

Standard and
Optional equipment

REVOTRUCK 6 / REVOTRUCK 9

Rotating cab dumper - Swivel tip skip

OPERATOR ENVIRONMENT

Rotating cab with access from both sides- ROPS/FOPS level II	•
Opening window on both doors	•
Cab heating and ventilation system	•
Air suspension adjustable seat with presence sensor	•
Adjustable steering column	•
High visibility orange seatbelt with sensor monitoring	•
External rear view mirrors	•
Cab air-conditioning system	o
Radio integrated on central control screen	o

CONTROLS

Multifunctional central control touch screen	•
Unique multi-functional joystick (skip, cab rotation, direction)	•
Mode selector (parking - road - work)	•
Speed limiters	•
Start-up code on the display screen	•
Automatic cab and skip rotation synchronization	•
Automatic skip return (to initial position)	•

SKIP

Swivel tip skip	•
Skip guard	•

CHASSIS

Chassis with central oscillation	•
Selectable 2-wheel steering / 4-wheel steering / crab steering	•
Towing/recovery bracket	•

TYRES

Traction tyres	•
----------------	---

SAFETY

Camera with display on central control screen - skip side	•
Machine tilt and skip monitoring	•
Automatic SAHR parking brake with hill-hold function	•
Reverse drive alarm according to machine direction	•
High visibility safety bolted steps and handrails	•
Camera with display on central control screen - cab side	o
Hazard / object detection system	o
Loose wheel nut indicator	o
CESAR datatag security kit (UK only)	o

REVOTRUCK 6 / REVOTRUCK 9

Rotating cab dumper - Swivel tip skip

LIGHTING

Cab LED work lights - front and rear	•
Certified road lights front and rear	•
LED amber flashing beacon (integrated into the cab roof)	•
LED green beacon seatbelt indicator (integrated into the cab roof)	•

COLOUR & BRANDING

Standard machine colour - Mecalac yellow and grey	•
Mecalac standard branding	•
Custom machine colour	o
Customized rental branding	o

TELEMATICS

MyMecalac Telematics - including app	•
Start-up digicode (linked to telematics)	•

HOMOLOGATION

German homologation kit - 25kph	o
Italian homologation kit	o
UK vehicle registration and road fund licence 12 months (UK only)	o

OTHERS

Mud guards	•
Standard hydraulic oil	•
Pin towing hitch	•
Spare wheel	o
Biodegradable hydraulic oil	o

Country packs available

• = Standard

o = Optional

**Standard and optional equipment may vary.
Consult your Mecalac dealer for details.**



REVORUCK

TECHNICAL DATA

REVOTRUCK

TECHNICAL DATA

	REVOTRUCK 6 Rotating cab dumper - Swivel tip skip	REVOTRUCK 9 Rotating cab dumper - Swivel tip skip
SKIP CAPACITY		
Payload	6000 kg (13 228 lbs)	9000 kg (19 842 lbs)
Skip type	Swivel tip skip	Swivel tip skip
Skip volume - Water	1170 l	1760 l
Skip volume - Struck	2500 l	3485 l
Skip volume - Heaped	3320 l	4540 l
MACHINE WEIGHT		
Operating weight ISO6016 – full tank of fuel and 75kg (165 lbs) operator	5915 kg (13 040 lbs)	6565 kg (14 473 lbs)
ENGINE		
Manufacturer/Model	Perkins - 904J-E28TA	
Emission regulation	EU Stage V / U.S. EPA Tier 4 Final*	
Type	Water-cooled 4-cylinder diesel	
Displacement	2800 cm ³ (171 in ³)	
Gross power (DIN 70020)	55 kW (74hp)	
Maximum torque	380 Nm (280 ft.lbf) at 1360 rpm	
Maximum rated speed	2400 rpm	
Aspiration	Turbocharged	
Fuel system	Electronic high pressure common rail	
Aftertreatment	Diesel Oxidation Catalyst (DOC) + Diesel Particulate Filter (DPF)	
TRANSMISSION		
Type	Hydrostatic	
Traction	Hydrostatic motor via transfer box to front and rear axles	
Drive	Permanent 4 wheel-drive	
Flow rate - Pump hydrostatic	1/1 Forward and Reverse	
Working pressure - Pump hydrostatic	170 l/min (44.9 US gpm)	
	Nominal 400 bar (5802 psi) - Maximum 530 bar (7687 psi)	
DRIVE CHARACTERISTICS		
External turning radius (over tyres)	3471 mm (11'5")	3730 mm (12'3")
Max travel speed	28 km/h (17.4 mph)	
Chassis	Rigid chassis with central oscillation and all-wheel steering	
Oscillation angle	+/-10.5°	
Axle steering angle (Front and Rear)	36°	40°
Safe working slope	25%	20%
Theoretical gradeability max.	50%	45%
Tyre Size	405/70-20 (14PR)	500/60-22.5 (12PR)
AUXILIARY HYDRAULICS		
Pump type	Gear pump	
Flow rate	78 l/min (20.6 US gpm)	
Operating pressure	220 bar (3191 psi)	
Steering system	Dual displacement orbital hydrostatic steering unit powering driving axle mounted steering cylinder	
BRAKING SYSTEM		
Working brake	Oil immersed discs on front/rear axles	
Parking brake	Automatic SAHR parking brake with hill-hold function	
EMISSIONS		
Noise emission (ISO 4871) – Operators ear sound pressure (LpAd)	NC	
Noise emission (ISO 4871) – Machine Noise Power (LWAd)	101 dB	
Noise compliance	Noise - Equipment used outdoors directive 2000/14/EC	
Hand arm vibration (defined by EN474-1 for all operations)	<2.5 m/s ²	<2.5 m/s ²
Whole body vibration (defined by ISO/TR25398 for a work cycle)	0.529 rms (0.264 m/s ² Uncertainty)	0.529 rms (0.264 m/s ² Uncertainty)
TANK CAPACITIES		
Fuel tank	65 l (17.2 US gal)	
Hydraulic tank	55 l (14.5 US gal)	

*According to National regulation - Environmental Protection Agency (EPA). Specifications are subject to change.

NOTE:
METRIC MEASUREMENTS ARE THE CRITICAL VALUES

- 1 Litre = 0.26417 US Liquid Gallons
- 1 Litre = 0.21997 Imperial Liquid Gallons

REVOTRUCK

DIMENSIONS

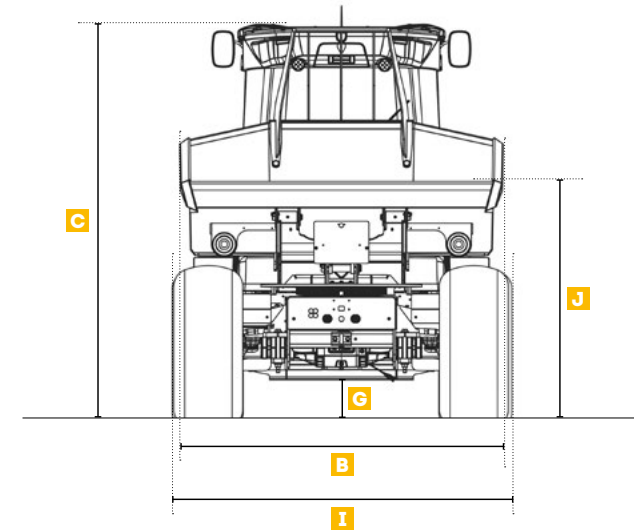
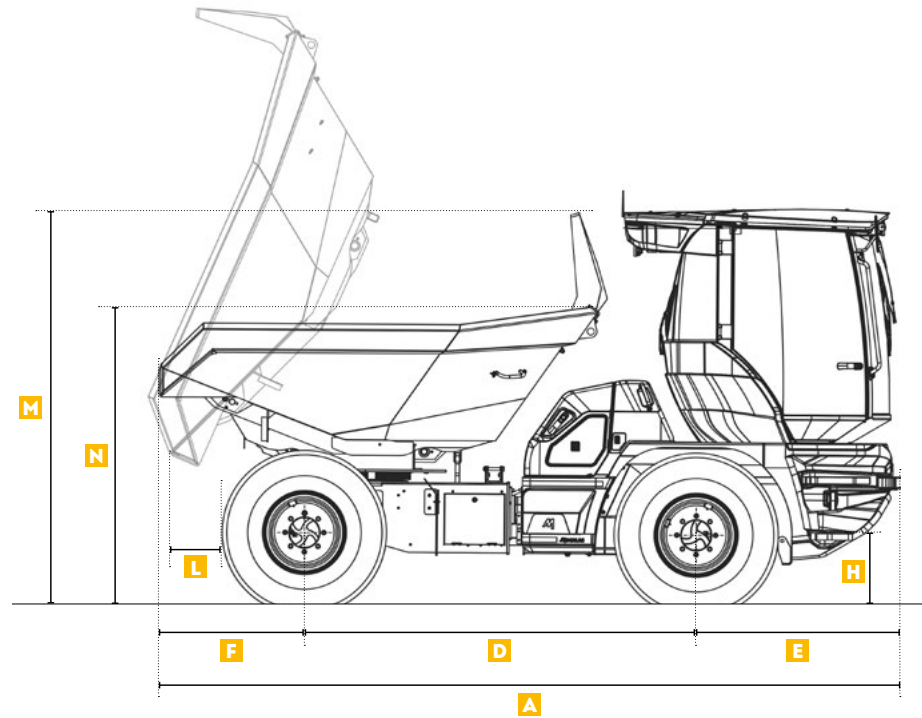


Illustration not contractual

MACHINE DIMENSIONS	REVOTRUCK 6 mm (ft in)	REVOTRUCK 9 mm (ft in)
A Total length	4894 (16'1")	5270 (17'3")
B Total width	2287 (7'6")	2412 (7'11")
C Total height	2805 (9'2")	2856 (9'4")
D Wheelbase	2495 (8'2")	2785 (9'2")
E Overhang - front	1465 (4'10")	1452 (4'9")
F Overhang - Rear	934 (3'1")	1033 (3'5")
G Minimum ground clearance	280 (11")	333 (1'1")
H Height to first step	503 (1'8")	554 (1'10")

MACHINE DIMENSIONS	REVOTRUCK 6 mm (ft in)	REVOTRUCK 9 mm (ft in)
I Width over tyres	2166 (7'1")	2412 (7'11")
J Height to lip of skip - untipped	1652 (5'5")	1742 (5'9")
K Height to lip of skip - tipped	1284 (4'3")	1117 (3'8")
L Discharge distance	360 (1'2")	355 (1'2")
M Height of untipped skip - with guard	2739 (8'12")	2832 (9'3")
N Height of untipped skip - without guard	2061 (6'9")	2161 (7'1")

REVOTRUCK

DIMENSIONS

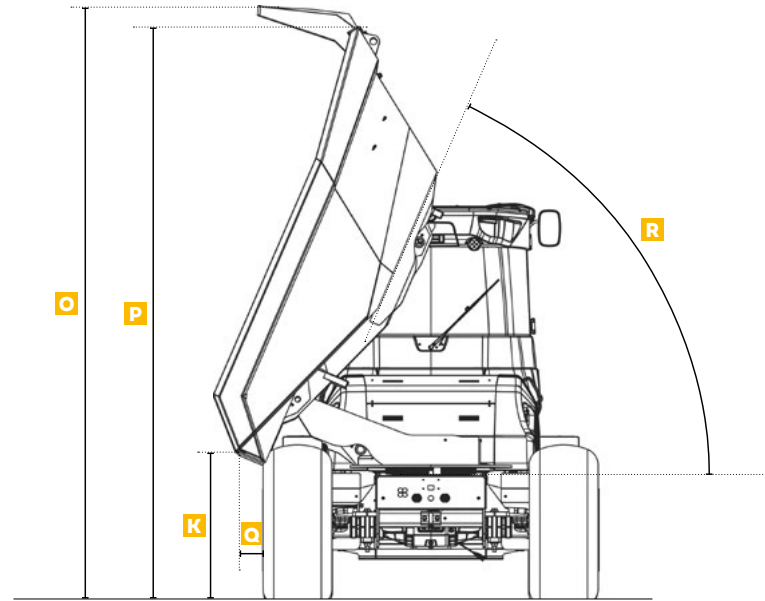
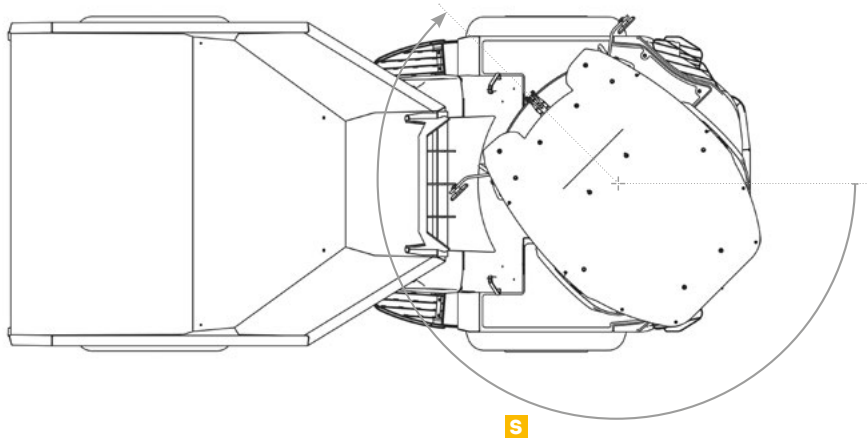
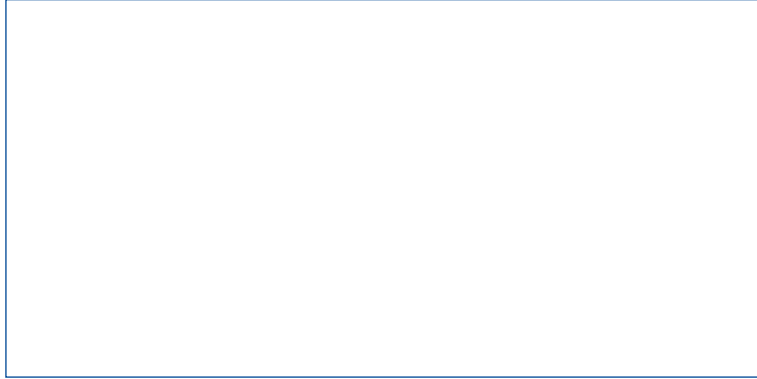


Illustration not contractual

MACHINE DIMENSIONS	REVOTRUCK 6 mm (ft in)	REVOTRUCK 9 mm (ft in)
O Height of tipped skip – with guard	4052 (13'4")	4284 (14'1")
P Height of tipped skip – without guard	3871 (12'8")	4118 (13'6")
Q Side discharge distance	187 (7")	168 (7")
R Skip dumping angle		66°
S Maximum cabin rotation angle		225°



MECALAC FRANCE S.A.S.
2, avenue du Pré de Challes
Parc des Glaisins – CS 40230
Annecy-le-Vieux
FR - 74942 Annecy Cedex
Tel. +33 (0)4 50 64 01 63

**MECALAC BAUMASCHINEN
GMBH**
Am Friedrichsbrunnen
D-24782 Büdelsdorf
Tel. +49 (0)43 31/3 51-319

**MECALAC CONSTRUCTION
EQUIPMENT UK LTD**
Unit 1, Mallory Way
Gallagher Business Park
Coventry, CV6 6PB, UK
Tel. +44 (0)24 7633 9400

**MECALAC İŞ MAKİNELERİ
SAN. VE TİC. LTD. ŞTİ.**
Ege Serbest Bölgesi
Zafer SB Mahallesi Gündüz Sokak No:17/1
35410, Gaziemir - İzmir - TÜRKİYE
Tel. +90 232 220 11 15



WWW.MECALAC.COM